

/CAEMENTUM



DESIGN
SUR-
FACES

CAEMENTUM

a/ floor: GRISEO 122,2x122,2 cm / 48"x48" R
wall: CLARUS 61,0x122,2 cm / 24"x48" R

a





Regardez sur le site internet
<https://evaluation.cstb.fr>
 s'il vous plaît

CAEMENTUM 3

effetto cemento / concrete-look / effet ciment / zementoptik

Colori / Colours / Couleurs / Farben



ALBUS



CLARUS



PULVIS

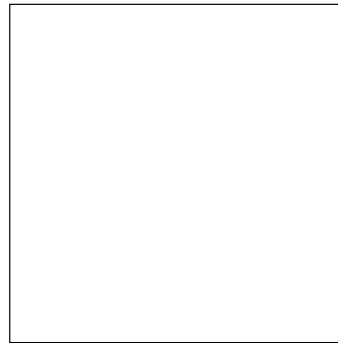


GRISEO

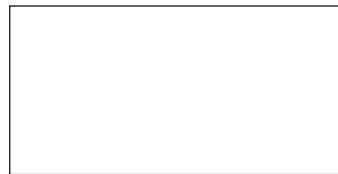


FURVUS

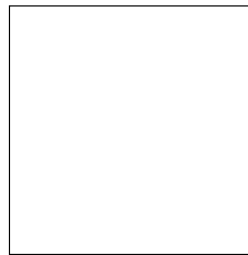
Formati / Sizes / Formats / Formate



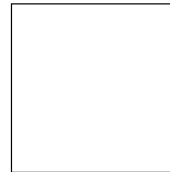
R - 122,2x122,2 cm . 48"x48" \pm 9,5 mm R10



R - 61,0x122,2 cm . 24"x48" \pm 9,5 mm R10
 R - 61,0x122,2 cm . 24"x48" \pm 9,5 mm OUTDOOR - R11



R - 90x90 cm . 36"x36" \pm 9,5 mm R10
 RS - 90x90 cm . 36"x36" \pm 20 mm FP2 - R11



R - 61,0x61,0 cm . 24"x24" \pm 9,0 mm R10
 R - 61,0x61,0 cm . 24"x24" \pm 9,0 mm OUTDOOR - R11



R - 30,4x61,0 cm . 12"x24" \pm 9,0 mm R10

R: Rettificato / Rectified

RS: Rettificato-Strutturato / -Textured

Formati / Sizes / Formats / Formate	R - 122,2x122,2 cm 48"x48" \pm 9,5 mm R10	R - 90x90 cm 36"x36" \pm 9,5 mm R10	RS - 90x90 cm 36"x36" \pm 20 mm FP2 R11	R - 61,0x122,2 cm 24"x48" \pm 9,5 mm R10	R - 61,0x122,2 cm 24"x48" \pm 9,5 mm OUTDOOR R11	R - 61,0x61,0 cm 24"x24" \pm 9,0 mm R10	R - 61,0x61,0 cm 24"x24" \pm 9,0 mm OUTDOOR R11	R - 30,4x61,0 cm 12"x24" \pm 9,0 mm R10
ALBUS	●	●		●		●		●
CLARUS	●	●	●	●	●	●	●	●
PULVIS	●	●		●	●	●	●	●
GRISEO	●	●	●	●	●	●	●	●
FURVUS		●		●		●		●



b/ wall: PULVIS 61,0x122,2 cm R/ 24"x48" R
floor: DECAPÉ MORO 20,2x122,2 cm RS/ 8"x48" RS

c/ wall: CLARUS 61,0x122,2 cm R/ 24"x48" R
floor: NORTH WIND GREY 26,0x160,0 cm RS/ 10"x63" RS

d/ wall: FURVUS 61,0x122,2 cm / 24"x48" R
floor: NORTH WIND BROWN 26,0x160,0 cm RS/ 10"x63" RS



c



d

ALBUS

CLARUS

PULVIS

dESIGN
SUR-
FACES

GRISEO

FURVUS

ALBUS

M8Q1	122,2x122,2 cm 48"x48" - R	A230
O7E0	90x90 cm 36"x36" - R	A220
M8Q3	61,0x122,2 cm 24"x48" - R	A180
M8Q4	61,0x61,0 cm 24"x24" - R	A192
M8Q5	30,4x61,0 cm 12"x24" - R	A110



CLARUS

M6M9	122,2x122,2 cm 48"x48" - R	A230
M8Q6	90x90 cm 36"x36" - R	A220
M7M1	61,0x122,2 cm 24"x48" - R	A180
O5M5	61,0x122,2 cm 24"x48" - OUTDOOR R	A182
M7M5	61,0x61,0 cm 24"x24" - R	A192
M7M9	61,0x61,0 cm 24"x24" - OUTDOOR R	A193
M8M5	30,4x61,0 cm 12"x24" - R	A110
M9Q0	90x90 cm 36"x36" - FP-E RS	A225



PULVIS

M5N3	122,2x122,2 cm 48"x48" - R	A230
M8Q8	90x90 cm 36"x36" - R	A220
M7M3	61,0x122,2 cm 24"x48" - R	A180
O5M6	61,0x122,2 cm 24"x48" - OUTDOOR R	A182
M7M7	61,0x61,0 cm 24"x24" - R	A192
M8M0	61,0x61,0 cm 24"x24" - OUTDOOR R	A193
M8M7	30,4x61,0 cm 12"x24" - R	A110



GRISEO

M6M8	122,2x122,2 cm 48"x48" - R	A230
M8Q7	90x90 cm 36"x36" - R	A220
M7M0	61,0x122,2 cm 24"x48" - R	A180
O5M7	61,0x122,2 cm 24"x48" - OUTDOOR R	A182
M7M4	61,0x61,0 cm 24"x24" - R	A192
M7M8	61,0x61,0 cm 24"x24" - OUTDOOR R	A193
M8M4	30,4x61,0 cm 12"x24" - R	A110
M8Q9	90x90 cm 36"x36" - FP-E RS	A225



FURVUS


O6E9	90x90 cm 36"x36" - R	A220
M7M2	61,0x122,2 cm 24"x48" - R	A180
M7M6	61,0x61,0 cm 24"x24" - R	A192
M8M6	30,4x61,0 cm 12"x24" - R	A110

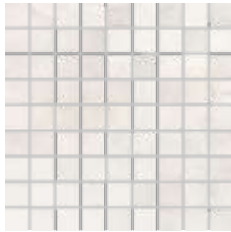




Sviluppo grafico / Design development / Développement graphique / Grafische Entwicklung 61,0x122,2 cm 24"x48" R
(12 grafiche diverse / 12 different design / 12 graphiques différents / 12 verschiedene Grafische)

Decori / Decors / Décors / Dekors

mosaico monocoloro 81 tessere 3x3 - 30x30 cm 12"x12"  P73



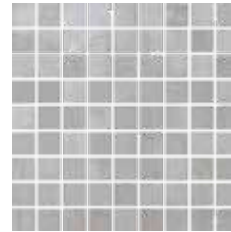
ALBUS



CLARUS



PULVIS






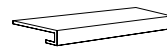


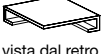


GRISEO



FURVUS



e/ wall: ALBUS 61,0x122,2 cm R/24"x48" R

Pezzi Speciali / Special Pieces / Pièces Spéciales / Formteile							
	battiscopa 6,5x122,2 cm 2 ^{1/2} "x48" R  P05	elemento "L" monolitico outdoor 15x30x4 cm 6"x12"x1 ^{3/4} " R  P50	step 30,4x61,0 cm 12"x24" R P90	gradino costa retta 34x122,2x4 cm 13"x48"x1 ^{3/4} " R P32	gradino costa retta 34x61,0x4 cm 13"x24"x1 ^{3/4} " R P31	vista frontale angolare costa retta dx/sx 34x122,2x4 cm 13"x48"x1 ^{3/4} " R P41	vista dal retro angolare costa retta dx/sx 34x34x4 cm 13"x13"x1 ^{3/4} " R P40
ALBUS	●		●	●	●	●	●
CLARUS	●	●	●	●	●	●	●
PULVIS	●	●	●	●	●	●	●
GRISEO	●	●	●	●	●	●	●
FURVUS	●		●	●	●	●	●

Note / Notes / Notes / Anmerkungen

I battiscopa e gli elementi "L" vengono venduti a pz. e a scatola completa. Tutti gli altri pezzi speciali vengono venduti al pezzo. I gradini vengono prodotti solo su ordinazione (tempo minimo di consegna 20 gg lavorativi).
All skirting and monolithic L elements, priced per piece, are sold in full box. All other special trims are sold by piece. Steps are produced only on request (minimum delivery terms of 20 days).
Les plinthes et élément "L" sont vendues la pièce et par boîte complète. Les autres pièces spéciales sont vendues la pièce. Le plat de marche sont produit sur demande (délai minimum de 20 jours).
Die Sockelleisten und Stufen werden pro Stk. und Vollen Kartons verkauft. Stufen und Stufenecken werden nur auf Bestellung produziert (Lieferzeiten mindesten 20 arbeitstagen ab Auftragserteilung).

CAEMENTUM

effetto cemento / concrete-look / effet ciment / zementoptik

Colori / Colours / Couleurs / Farben

technical project

 outdoor

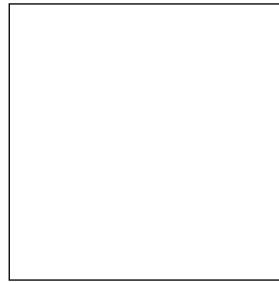
SBS
 SUPER BREAKING
 STRENGTH

INGELIVO
 NO FROST

V2

 MODERATE

Formati / Sizes / Formats / Formate



RS - 90x90 cm . 36"x36"

± 20 mm

FP2 - R11

RS: Rettificato-Strutturato / Rectified-Textured

Formati / Sizes / Formats / Formate	RS - 90x90 cm 36"x36" ± 20 mm FP2 R11
CLARUS	●
GRISEO	●



a/outdoor: CLARUS FP2
 90x90 cm RS/36"x36" RS
 indoor: CLARUS 90x90 cm R/36"x36" R

Per la disponibilità articolo: www.tuscaniagres.it digitando il codice web segnalato a lato dei formati.
 For the item's availability: www.tuscaniagres.it type the web code reported next to the sizes.
 Pour vérifier la disponibilité de l'article: www.tuscaniagres.it en saisissant le code web indiqué à coté des formats.
 Für die Artikelverfügbarkeit: www.tuscaniagres.it web code eingeben, an der Seite von Formaten angedeutet.

CLARUS

M9Q0 90x90 cm 36"x36" - FP2 RS A225



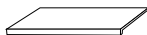
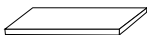
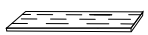
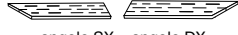



GRISEO

M8Q9 90x90 cm 36"x36" - FP2 RS A225



FP2

Pezzi Speciali /
Special Pieces /
Pièces Spéciales /
Formteile




	 elemento "L" 45x90x5 cm 18"x36" x2" RS P101	 angolare elemento "L" SX/DX 45x90x5 cm 18"x36" x2" RS P104	 griglia 20x90 cm 8"x36" RS P106C	 angolo SX angolo DX griglia angolo 20x90 cm 8"x36" RS P108 COPPIA
CLARUS	●	●	●	●
GRISEO	●	●	●	●
	 round lineare 45x90 cm 18"x36" RS P111	 round angolare 45x90 cm 18"x36" RS P113B COPPIA	 angolo SX angolo DX angolo bordo toro 45x90 cm 18"x36" RS P115	
CLARUS	●	●	●	
GRISEO	●	●	●	

Note - Notes - Notes - Anmerkungen

I pezzi speciali FP2 vengono venduti al pezzo e solo su ordinazione (tempo minimo di consegna 20 gg lavorativi dall'ordine).
 The special pieces FP2 are sold by piece and only on request (minimum delivery time 20 working days from date of order).
 Les pièces spéciales FP2 sont vendus à la pièce et uniquement sur commande (délai minimum de livraison 20 jours ouvrés à partir de la commande).
 Spezial Teile FP2 sind pro Stück verkauft und nur auf Bestellungen produziert. (Lieferzeiten mindesten 20 arbeitstage ab Auftragbestätigung)

12 TABELLA PESI ED IMBALLI

Sizes weight and packaging / Mesures poids et emballages / Tabelle der Gewichte und Verpackungen

formati / sizes / tailles / formate /		pz. x box	mq. x box	box x pal.	mq. x pal.	kg. x mq	kg. x box	kg. x pal.	
RETTIFICATI / RECTIFIED (R)									
122,2x122,2 cm 48"x48" R	9,5 mm	2	2,99	18	53,82	21,09	63,05	1175	124x143x60
90x90 cm 36"x36" R	9,5 mm	2	1,62	21	34,02	19,96	32,33	700	94x107x65
61x122,2 cm 24"x48" R	9,5 mm	2	1,49	36	53,64	20,52	30,57	1120	94x120x75
61x61 cm 24"x24" R	9 mm	4	1,49	30	44,70	19,80	29,50	900	80x120x75
30,4x61 cm 12"x24" R	9 mm	7	1,30	40	52,00	19,83	25,77	1045	80x120x75
SPESSORATI / EXTRA THICK (R) 									
90x90 cm 36"x36" R	20 mm	1	0,81	21	17,01	42,45	34,38	750	94x107x65
pezzi speciali / special pieces / pièces spéciales / formteile /									
6,5x122,2 cm 2"x48" battiscopa rettificato		10					12,50		

Note / Notes / Notes / Anmerkungen /

I battiscopa e gli elementi "L" vengono venduti a pz. e a scatola completa. Tutti gli altri pezzi speciali vengono venduti al pezzo. I gradini vengono prodotti solo su ordinazione (tempo minimo di consegna 20 gg lavorativi).
 All skirting and monolithic L elements, priced per piece, are sold in full box. All other special trims are sold by piece. Steps are produced only on request (minimum delivery terms of 20 days).
 Les plinthes et élément "L" sont vendues la pièce et par boîte complete. Les autres pieces speciales sont vendus la pièce. Le plat de marche sont produit sur demande (delai minimum de 20 jours).
 Die Sockelleisten und Stufen werden pro Stk. und Vollen Kartons verkauft. Stufen und Stufenecken werden nur auf Bestellung produziert (Lieferzeiten mindesten 20 arbeitstagen ab Auftragserteilung).

SIMBOLOGIA CARATTERISTICHE TECNICHE - GRÈS PORCELLANATO /

Symboles technical characteristics - porcelain stoneware / Symboles des caracteristiques techniques - grès cérame / Symbole technischen eigenschaften - feinsteinzeug



	CARATTERISTICHE TECNICHE TECHNICAL CHARACTERISTICS CARACTÉRISTIQUES TECHNIQUES TECHNISCHE MERKMALE	NORMA DI RIFERIMENTO REFERENCE STANDARD NORME DE REFERENCE PRÜFMETHODE	VALORE RICHIESTO REQUIRED VALUE VALEUR REQUISE SOLLWERT	VALORE MEDIO TUSCANIA AV. TUSCANIA VALUE VALEUR MOYENNE TUSCANIA MITTLERER TUSCANIA-WERT	
	DIMENSIONI DIMENSIONS DIMENSIONS ABMESSUNGEN	ISO 10545-2	CONFORME COMPLIANT CONFORME KONFORM	CONFORME COMPLIANT CONFORME KONFORM	
	ASSORBIMENTO D'ACQUA WATER ABSORPTION ABSORPTION D'EAU WASSERAUFNAHME	ISO 10545-3	≤ 0,5 %	CONFORME COMPLIANT CONFORME KONFORM	
	RESISTENZA A FLESSIONE MODULUS OF RUPTURE RESISTANCE A LA FLEXION BIEGEFESTIGKEIT	ISO 10545-4	MODULUS OF RUPTURE R ≥35 N/MM ² BREAKING STRENGTH S ≥1300 N	CONFORME COMPLIANT CONFORME KONFORM	
	RESISTENZA ALL'ABRASIONE ABRASION RESISTANCE RÉSISTANCE À L'ABRASION ABRIEBBESTÄNDIGKEIT	ISO 10545-7	PEI SOLO PER PIASTRELLE SMALTATE ONLY FOR GLAZED TILES		
	DILATAZIONE TERMICA LINEARE LINEAR THERMAL EXPANSION DILATATION THERMIQUE LINEAIRE LINEARE WÄRMEAUSDEHNUNG	ISO 10545-8	≤ 9x10 ⁻⁵ °C ⁻¹	CONFORME COMPLIANT CONFORME KONFORM	
	RESISTENZA AGLI SBALZI TERMICI THERMAL SHOCK RESISTANCE RESISTANCE AUX ECARTS DE TEMPERATURE ITEMPERATURWECHSELBESTÄNDIGKEIT	ISO 10545-9	RESISTENTE RESISTANT RESISTANT BESTÄNDIG	RESISTENTE RESISTANT RESISTANT BESTÄNDIG	
	RESISTENZA AL GELO FROST RESISTANCE RESISTANCE AU GEL FROSTBESTÄNDIGKEIT	ISO 10545-12	RESISTENTE RESISTANT RESISTANT BESTÄNDIG	RESISTENTE RESISTANT RESISTANT BESTÄNDIG	
	RESISTENZA AGLI ACIDI ED ALLE BASI ACID AND ALKALI RESISTANCE RESISTANCE AUX ACIDES ET AUX BASES SÄURE- UND LAUGENBESTÄNDIGKEIT	ISO 10545-13	CLASS GB MIN.	LOW CONCENTRATION GLA HIGH CONCENTRATION GHA	
	RESISTENZA ALL'ATTACCO CHIMICO CHEMICAL RESISTANCE RESISTANCE À L'ATTAQUE CHEMIQUE CHEMISCHE BESTÄNDIGKEIT	ISO 10545-13	CLASS GB MIN.	GA	
	RESISTENZA ALLE MACCHIE STAIN RESISTANCE RESISTANCE AU TACHES FLECKENBESTÄNDIGKEIT	ISO 10545-14	CLASS 3 MIN.	5	
	COEFFICIENTE DI ATTRITO (SCIVOLOSITÀ) FRICTION COEFFICIENT (SLIPPERINESS) COEFFICIENT DE FRICTION (GLISSEMENT) REIBUNGSKOEFFIZIENT (RUTSCHIGKEIT)	BCR - ITALIA DM DEL 14-06-89	ASTM - USA ASTM C1028	DIN - GERMANIA DIN 51130	
		DRY RUBBER 0,62	WET RUBBER 0,51	DRY LEATHER 0,62	DRY NEOLYTHE 0,69

THE PRODUCTS HAVING AN ABSORPTION < 0,5% ARE CLASSIFIED ACCORDING THE UNI CEN STANDARDS "FULLY VITRIFIED TILES" AND ACCORDING TO THE ASTM STANDARDS "IMPERVIOUS TILES"

CAEMENTUM

Le informazioni contenute nel presente catalogo sono il più possibile esatte, ma non sono da ritenersi vincolanti. Per esigenze di produzione l'Azienda si riserva il diritto di apportare eventuali modifiche che si rendessero necessarie. Peso, colori e misure sono soggetti alle inevitabili variazioni tipiche del processo di cottura della ceramica. Il colori e gli effetti riportati sul presente catalogo sono indicativi per i limiti consentiti dalla stampa; per questo non possono essere vincolanti e costituire base per eventuali contestazioni.

The information contained in this catalogue is as accurate as possible, but cannot be considered as legally binding. The Company reserves the right to make any modifications that become necessary due to production requirements. Weight, colours and dimensions are subject to the inevitable variations typical of the ceramic firing process. Colours and aesthetic effects shown on this catalogue should be considered indicative and approximate as a result of printing process limits. Possible variations may occur and can not be at the base of any claim.

Les informations reprises dans ce catalogue sont exactes, mais elles n'engagent aucunement notre Société du point de vue légal. Pour des exigences de production la Société se réserve le droit d'apporter toutes les dimensions sont assujettis aux variations typiques du processus de cuisson de la céramiques. Les couleurs et les effets présentés dans ce catalogue sont indicatifs dans la mesure permise par la presse, ce qui explique pourquoi ils ne peuvent pas être obligatoire et constituer la base d'un éventuel désaccord.

Die informationen des vorliegenden Katalogs sind so exakt wie möglich, sind jedoch nicht als gesetzlich verbindlich zu betrachten. Aus Fertigungsgründen behält die Firma sich das Recht vor, eventuell notwendige Änderungen vorzunehmen. Gewicht, Farben und Abmessungen unterliegen den unvermeidlichen Veränderungen, die für den Brennvorgang von Keramikprodukten typisch sind. Die in diesem Katalog gezeigten Farben und Effekte sind Richtwerte, soweit durch die Presse, die ist, warum sie nicht bindend und stellen die Grundlage für eine Meinungsverschiedenheit gestattet.

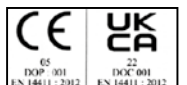
Credit:

Marketing:
Tuscania

Progetto Grafico:
EUREKA


TUSCANIA[®]
ceramiche


Ceramics of Italy



/CAEMENTUM



tuscaniagres.it

Tuscania S.p.A.

Via Giardini Sud, 4603
41028 Serramazzoni (Mo) - Italia
Tel. +39 0536.952399
Fax +39 0536.954716
info@tuscaniagres.it
www.tuscaniagres.it

